



US00D772087S

(12) **United States Design Patent** (10) **Patent No.:** **US D772,087 S**  
**Usman et al.** (45) **Date of Patent:** **\*\* Nov. 22, 2016**

(54) **ALCOHOL SENSING BRACELET**  
(71) Applicants: **Keane Hasnar Cabanos Usman**, Palmdale, CA (US); **Jonathan Nguyen Hernandez**, Lancaster, CA (US); **Kendrick Lee Short**, Lancaster, CA (US); **Walter Scott Marquez**, Palmdale, CA (US); **Mery Alaberkyan**, Palmdale, CA (US); **Anahit Ana Topchyan**, Palmdale, CA (US); **Michael He Huang**, West Sacramento, CA (US); **Deandrea Dolberry**, Lancaster, CA (US); **Faisal Atanante**, Palmdale, CA (US); **Fanta Sinayoko**, Palmdale, CA (US); **Andrew DeShields**, Palmdale, CA (US); **Daniel Peters**, Palmdale, CA (US); **Branden Cameron Eshrati**, Palmdale, CA (US); **Rachel Kathleen Makamae Thibault**, Palmdale, CA (US); **Michael Peters**, Palmdale, CA (US); **Andrea Charice Buckner**, Lancaster, CA (US); **Ani Alaberkyan**, Palmdale, CA (US)  
(72) Inventors: **Keane Hasnar Cabanos Usman**, Palmdale, CA (US); **Jonathan Nguyen Hernandez**, Lancaster, CA (US); **Kendrick Lee Short**, Lancaster, CA (US); **Walter Scott Marquez**, Palmdale, CA (US); **Mery Alaberkyan**, Palmdale, CA (US); **Anahit Ana Topchyan**, Palmdale, CA (US); **Michael He Huang**, West Sacramento, CA (US); **Deandrea Dolberry**, Lancaster, CA (US); **Faisal Atanante**, Palmdale, CA (US); **Fanta Sinayoko**, Palmdale, CA (US); **Andrew DeShields**, Palmdale, CA (US); **Daniel Peters**, Palmdale, CA (US); **Branden Cameron Eshrati**, Palmdale, CA (US); **Rachel Kathleen Makamae Thibault**, Palmdale, CA (US); **Michael Peters**, Palmdale, CA (US); **Andrea Charice Buckner**, Lancaster, CA (US); **Ani Alaberkyan**, Palmdale, CA (US)

(\*\*) Term: **15 Years**  
(21) Appl. No.: **29/530,874**  
(22) Filed: **Jun. 19, 2015**  
(51) **LOC (10) Cl.** ..... **10-04**  
(52) **U.S. Cl.**  
USPC ..... **D10/81; D10/78**  
(58) **Field of Classification Search**  
USPC ..... D10/30-39, 65, 70, 78, 81, 97, 98; D11/3; D14/138 R, 203.5, 203.6, 341, D14/344, 347; D24/167, 168, 186  
CPC .... A61B 5/083; A61B 5/087; A61B 5/0833; A61B 5/091; A61B 5/222; A61B 5/0002; A61B 5/02438; A61B 5/08; G01N 33/497; G01N 33/4972; G01N 33/483; G01N 33/98; G10L 17/00; Y10S 436/90  
See application file for complete search history.

(56) **References Cited**  
U.S. PATENT DOCUMENTS  
D507,550 S \* 7/2005 Kim ..... D10/31  
D508,031 S \* 8/2005 Kim ..... D10/31  
D604,187 S \* 11/2009 Dacko ..... D10/70  
D693,251 S \* 11/2013 Anderssen ..... D10/97  
D717,678 S \* 11/2014 Anderssen ..... D10/70  
9,155,505 B2 \* 10/2015 Caduff ..... A61B 5/01  
9,332,912 B2 \* 5/2016 Tokko ..... A61B 5/02116

**OTHER PUBLICATIONS**  
Fitbit Store: Buy Surge, Charge HR, Charge, Flex, One, Zip & Aria at <https://www.fitbit.com/store>; last accessed Jun. 17, 2015.  
\* cited by examiner

*Primary Examiner* — Antoine D Davis  
(74) *Attorney, Agent, or Firm* — Adam R. Stephenson, Ltd.

(57) **CLAIM**  
The ornamental design for an alcohol sensing bracelet, as shown and described.

**DESCRIPTION**

FIG. 1 is a front perspective view of an alcohol sensing bracelet embodiment;

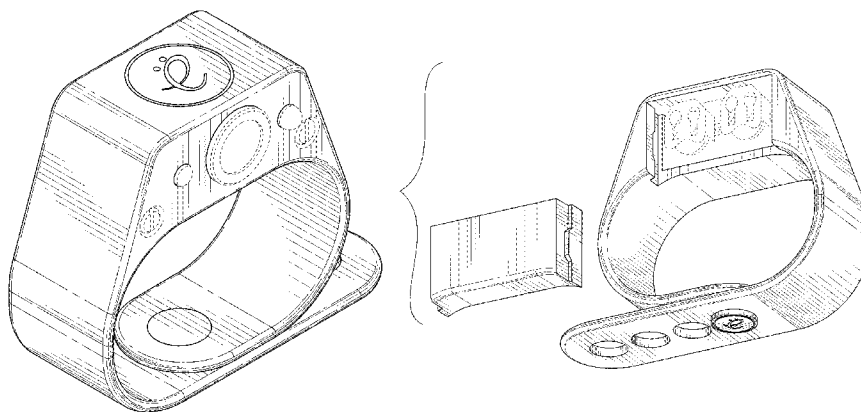


FIG. 2 is a front view thereof;  
FIG. 3 is a rear view thereof with a door coupled into the bracelet;  
FIG. 4 is a left view thereof;  
FIG. 5 is a right view thereof;  
FIG. 6 is top view;  
FIG. 7 is a bottom view;  
FIG. 8 is back perspective view with the door in an exploded position;  
FIG. 9 is a front perspective view of another alcohol sensing bracelet embodiment;

FIG. 10 is a front view thereof;  
FIG. 11 is a rear view thereof with a door coupled into the bracelet;  
FIG. 12 is a left view thereof;  
FIG. 13 is a right view thereof;  
FIG. 14 is a top view thereof; and,  
FIG. 15 is a bottom view thereof.  
All broken lines represent unclaimed features of the article to which the design is applied. All surfaces not shown form no part of the claimed design.

**1 Claim, 11 Drawing Sheets**

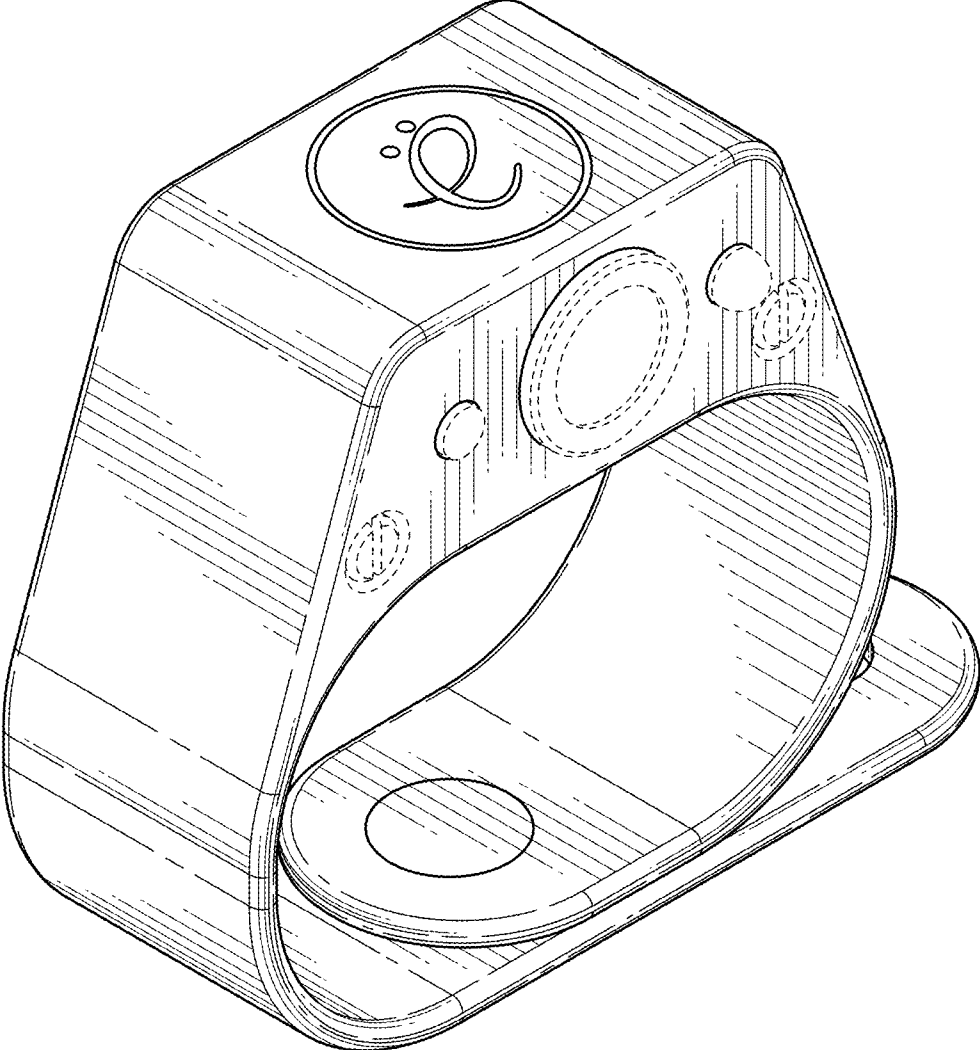


FIG. 1

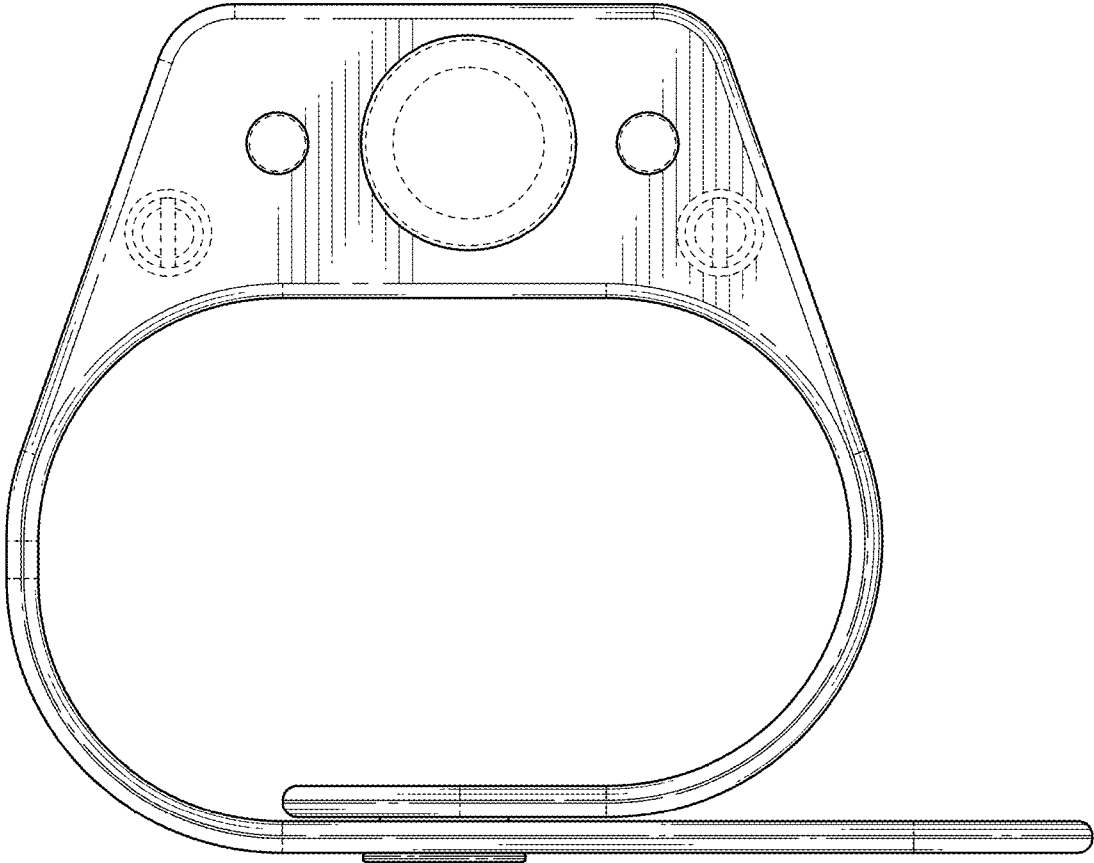


FIG. 2

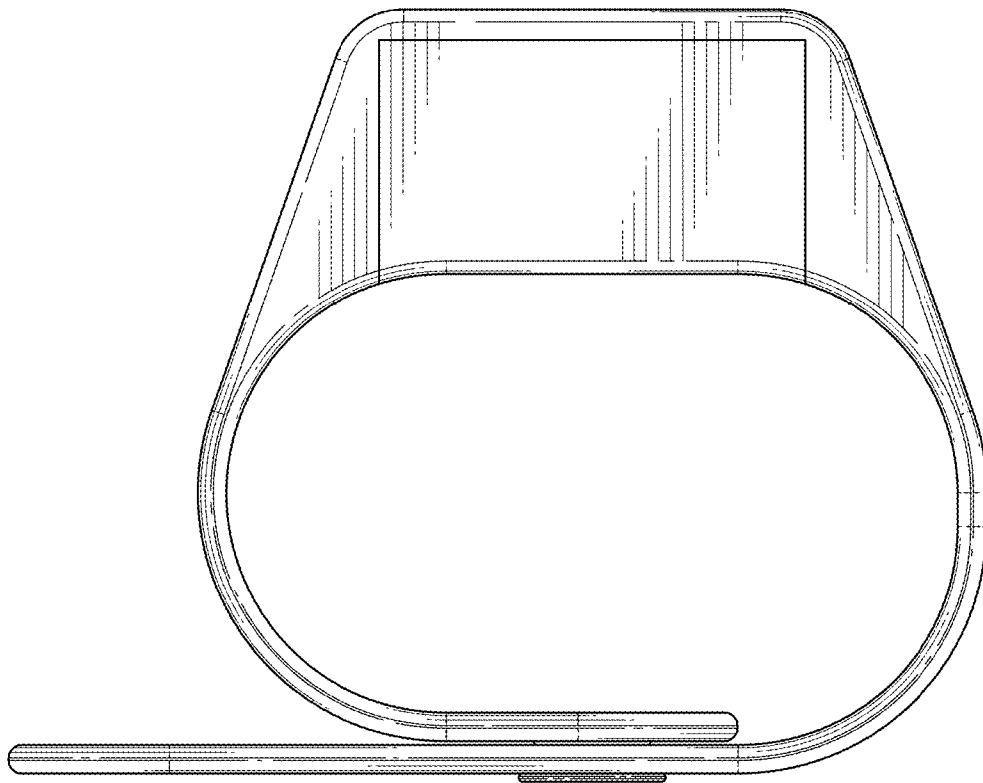


FIG. 3

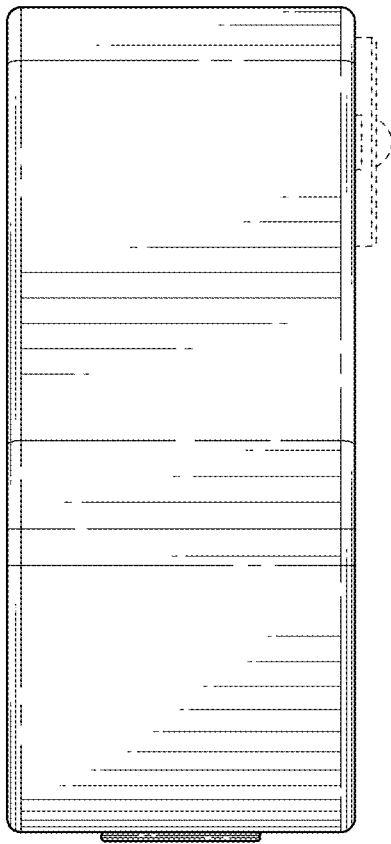


FIG. 4

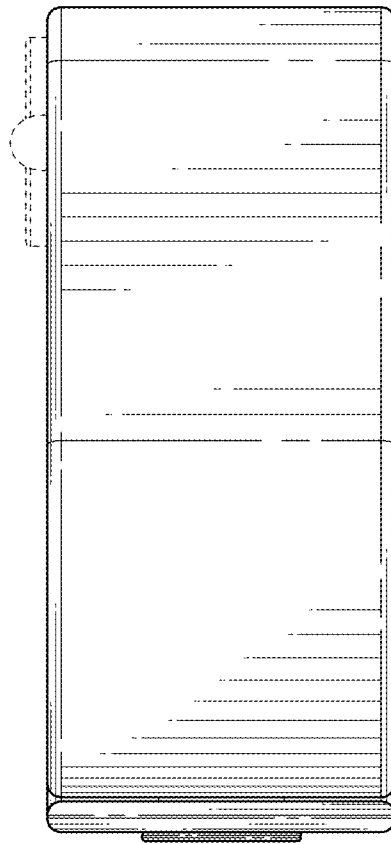


FIG. 5

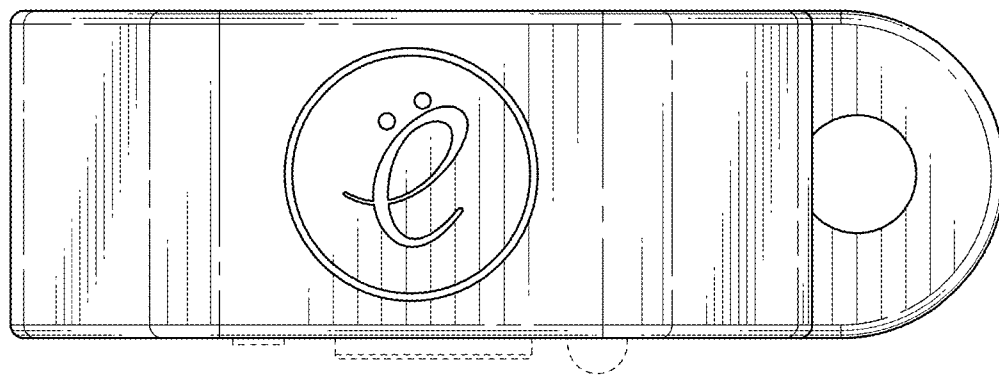


FIG. 6

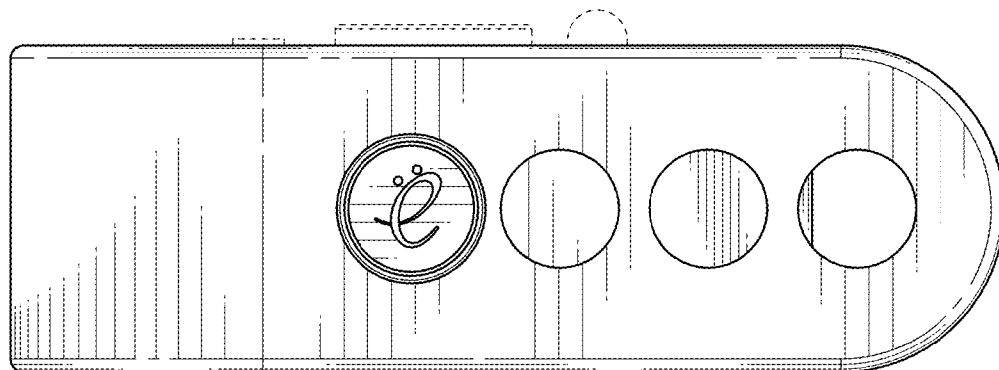


FIG. 7

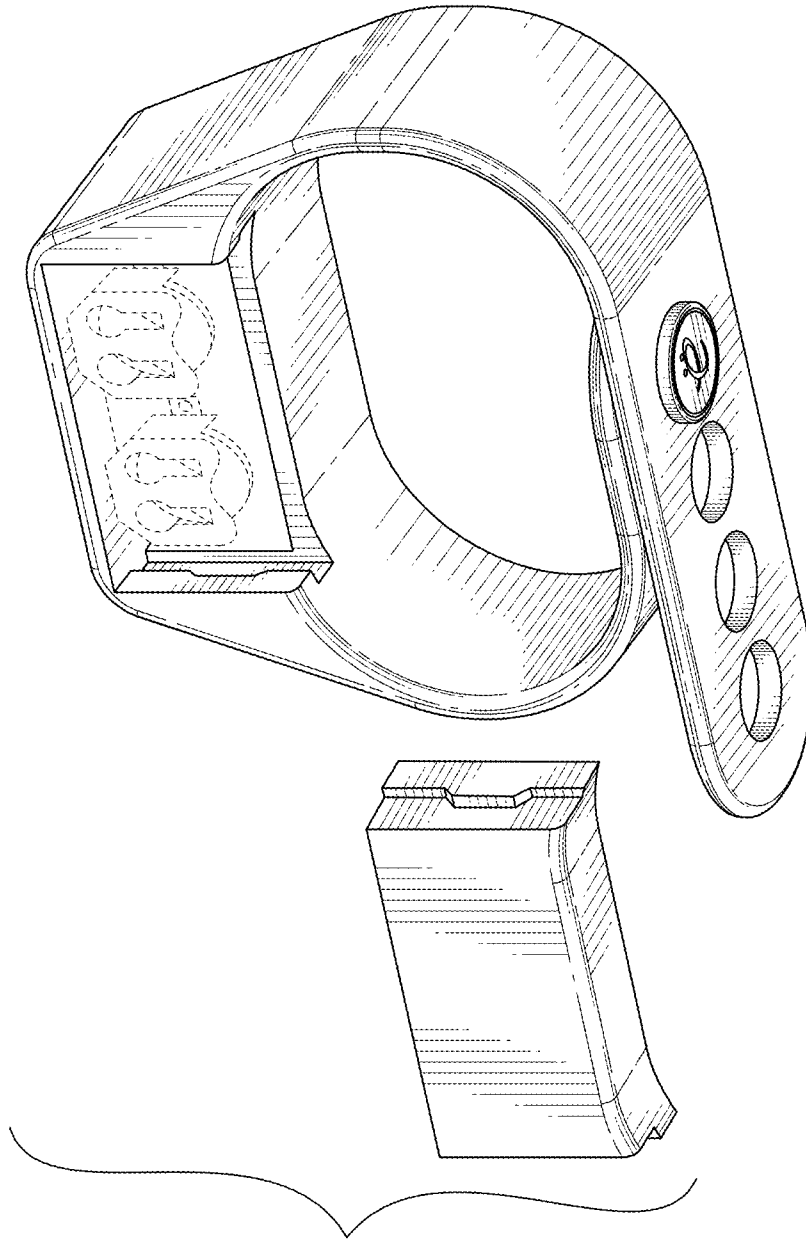


FIG. 8



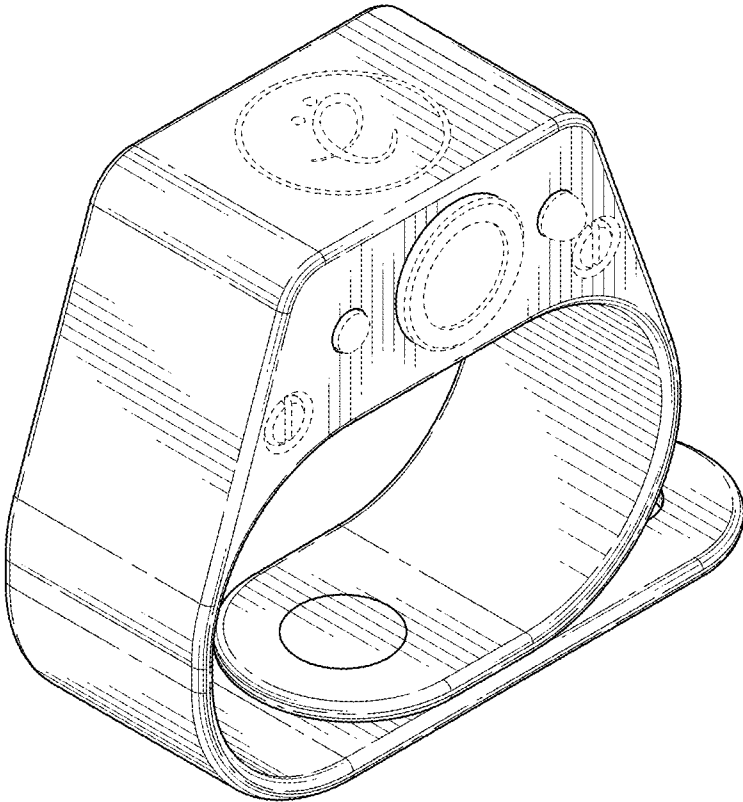


FIG. 9

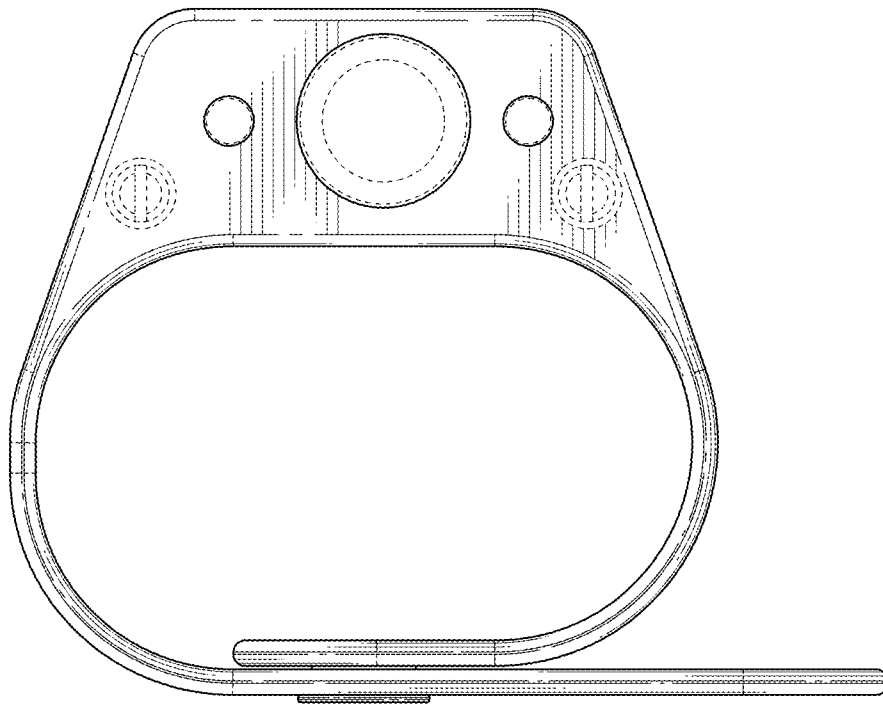


FIG. 10

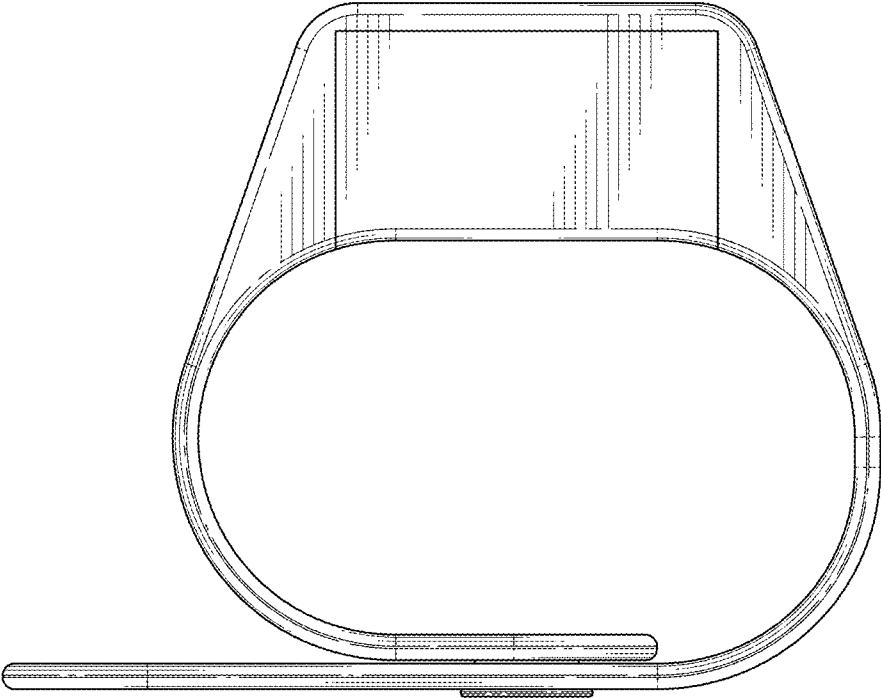


FIG. 11

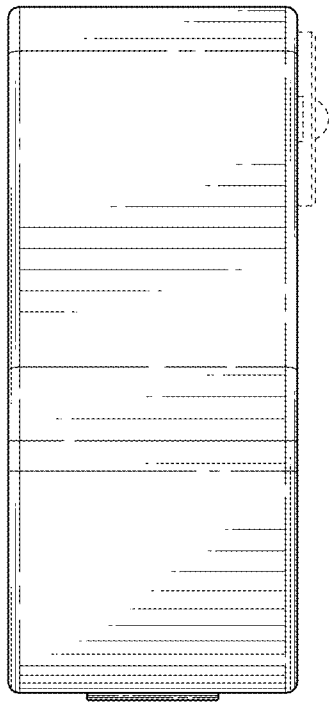


FIG. 12

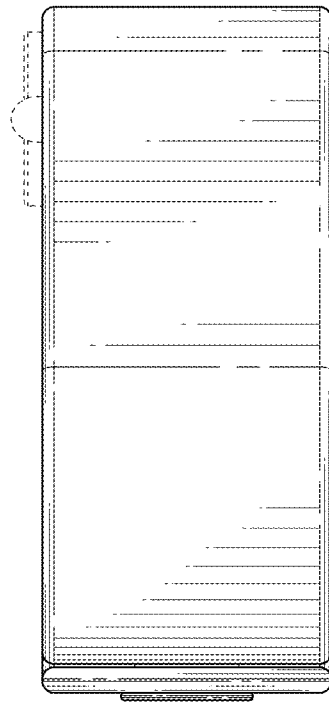


FIG. 13

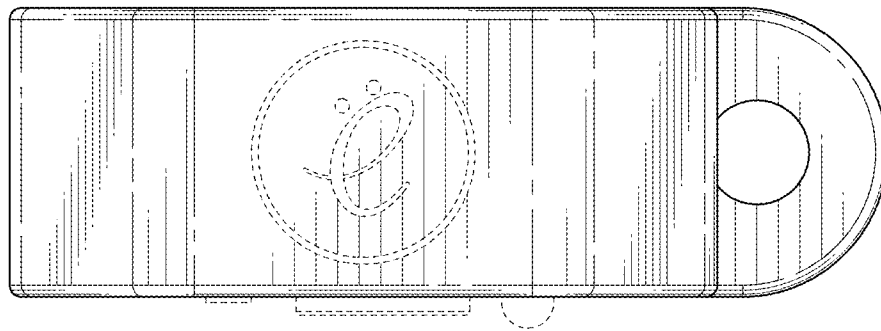


FIG. 14

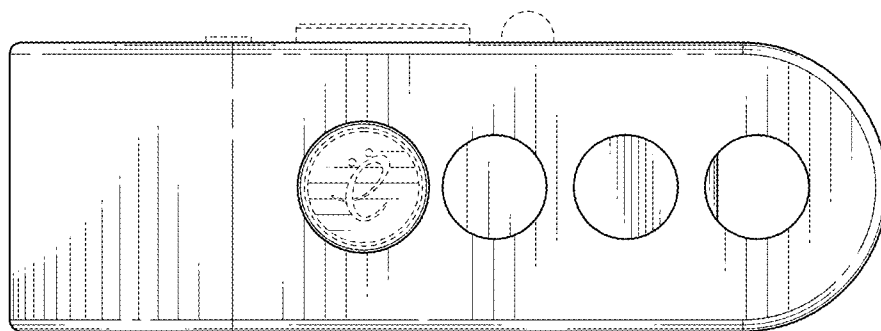


FIG. 15